

2. Specifications

Model			GWHD(24)NK600(LC)(LH)	
Product Code			CB228W14600	
Power Supply	Rated Voltage	V~	220-240	
	Rated Frequency	Hz	50	
	Phases		1	
Cooling Capacity		W	7.1	
Heating Capacity		W	8.6	
Cooling Power Input		W	1.88	
Heating Power Input		W	2.23	
Cooling Current Input		A	8.34	
Heating Current Input		A	9.89	
Rated Power Input		W	Cooling: 3.4 / Heating: 3.0	
Rated Current		A	Cooling: 15 / Heating: 14.6	
EER		W/W	3.78	
COP		W/W	3.86	
Outdoor Unit	Compressor Trademark		ZHUHAI LANDA COMPRESSOR CO., LTD.	
	Compressor Model		QXFS-M180zX170	
	Compressor Refrigerant Oil Type		FW68DA or equivalent	
	Compressor Type		Twin Rotary	
	L.R.A		A	24
	Compressor Rated Load Amp (RLA)		A	/
	Compressor Power Input		W	1480
	Compressor Thermal Protector			HPC115/95/KSD115°C
	Throttling Method			Electron expansion valve
	Cooling Operation Ambient Temperature Range		°C	-15~43
	Heating Operation Ambient Temperature Range		°C	-22~24
	Condenser Material			Aluminum Fin-copper Tube
	Condenser Pipe Diameter		mm	Φ7
	Rows-Fin Gap(mm)		mm	2-1.4
	Coil length (L) X Height (H) X Coil width (W)		mm	851×616×38.1
	Fan Motor Speed (rpm) (H/M/L)		rpm	Cooling: 850 / Heating: 800
	Output of Fan Motor		W	60
	Fan Motor RLA		A	0.426
	Fan Motor Capacitor		μF	/
	Air Flow Volume of Outdoor Unit		m ³ /h	3800
	Fan Type-Piece			Axial-flow
	Fan Diameter-Height		mm	520-154
	Defrosting Method			Automatic Defrosting
	Climate Type			T1
	Isolation			I
	Moisture Protection			IPX4
	Permissible Excessive Operating Pressure for the Discharge Side		MPa	4.3
	Permissible Excessive Operating Pressure for the Suction Side		MPa	2.5
	Dimension (WXDXH)		mm	964×402×660
	Dimension of Carton Box (LXWXH)		mm	1029×453×715
	Dimension of Package (LXWXH)		mm	1032×456×737
Net Weight		kg	47.5	
Gross Weight		kg	52	
Refrigerant			R32	
Refrigerant Charge		kg	1.7	

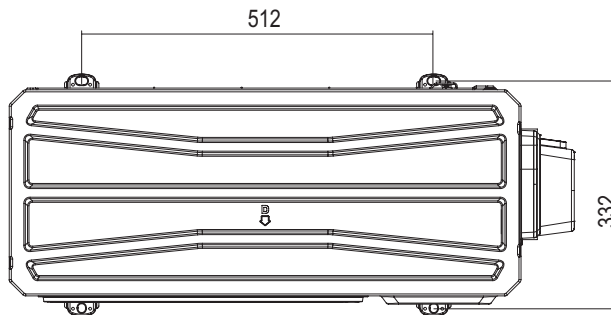
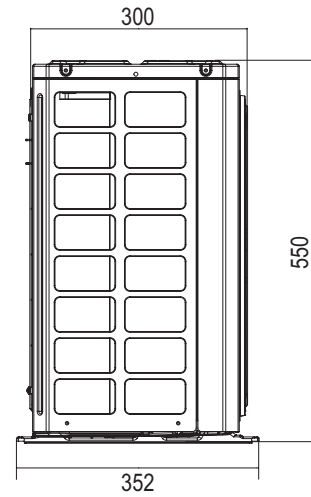
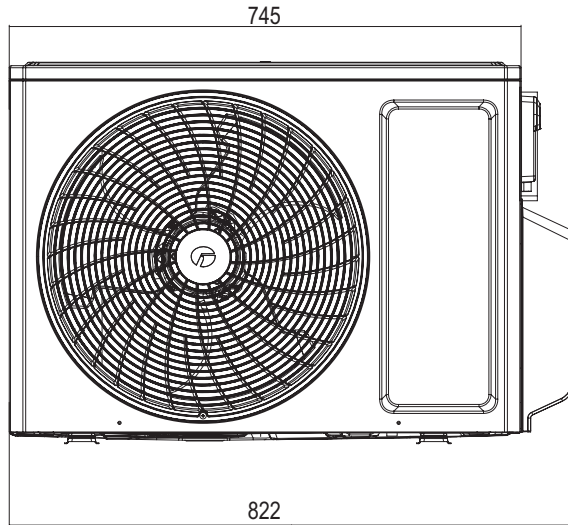
2. Specifications

Outdoor Unit	Cross-sectional Area of Power Cable Conductor	mm ²	2.5
	Recommended Power Cable(Core)	N	3
	Connection Pipe Connection Method		Flare Connection
	Not Additional Gas Connection Pipe Length	m	30
	Connection Pipe Gas Additional Charge	g/m	20
	Outer Diameter of Liquid Pipe1	inch	1/4
	Outer Diameter of Gas Pipe1	inch	3/8
	Outer Diameter of Liquid Pipe2	inch	1/4
	Outer Diameter of Gas Pipe2	inch	3/8
	Outer Diameter of Liquid Pipe3	inch	1/4
	Outer Diameter of Gas Pipe3	inch	3/8
	Outer Diameter of Liquid Pipe4	inch	/
	Outer Diameter of Gas Pipe4	inch	/
	Outer Diameter of Liquid Pipe5	inch	/
	Outer Diameter of Gas Pipe5	inch	/
	Connection Pipe Max. Height Distance (Indoor and Indoor)	m	15
	Max. equivalent connection pipe length	m	20
	Connection Pipe Max. Length Distance (total length)	m	60

The above data is subject to change without notice; please refer to the nameplate of the unit.

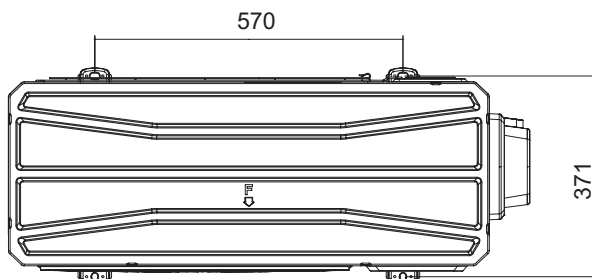
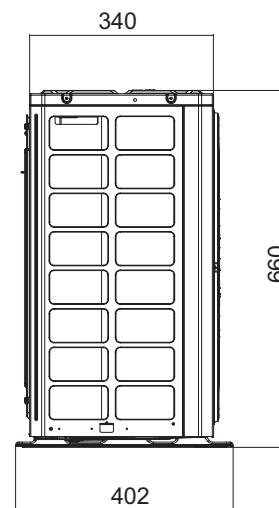
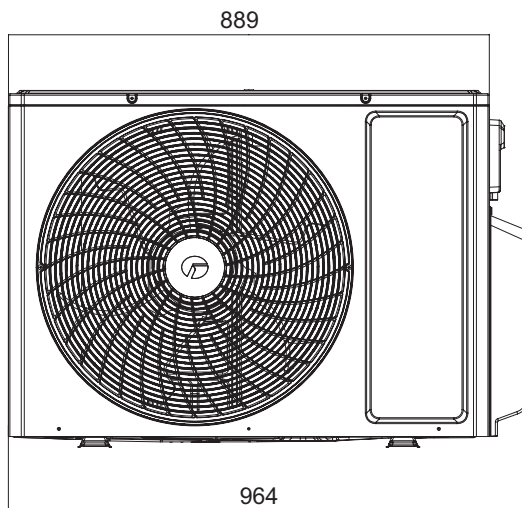
3. Outline Dimension Diagram

GWHD(14)NK600(LC)(LH) GWHD(14)NK600(LC)
 GWHD(18)NK600(LC)(LH) GWHD(18)NK600(LC)



Unit:mm

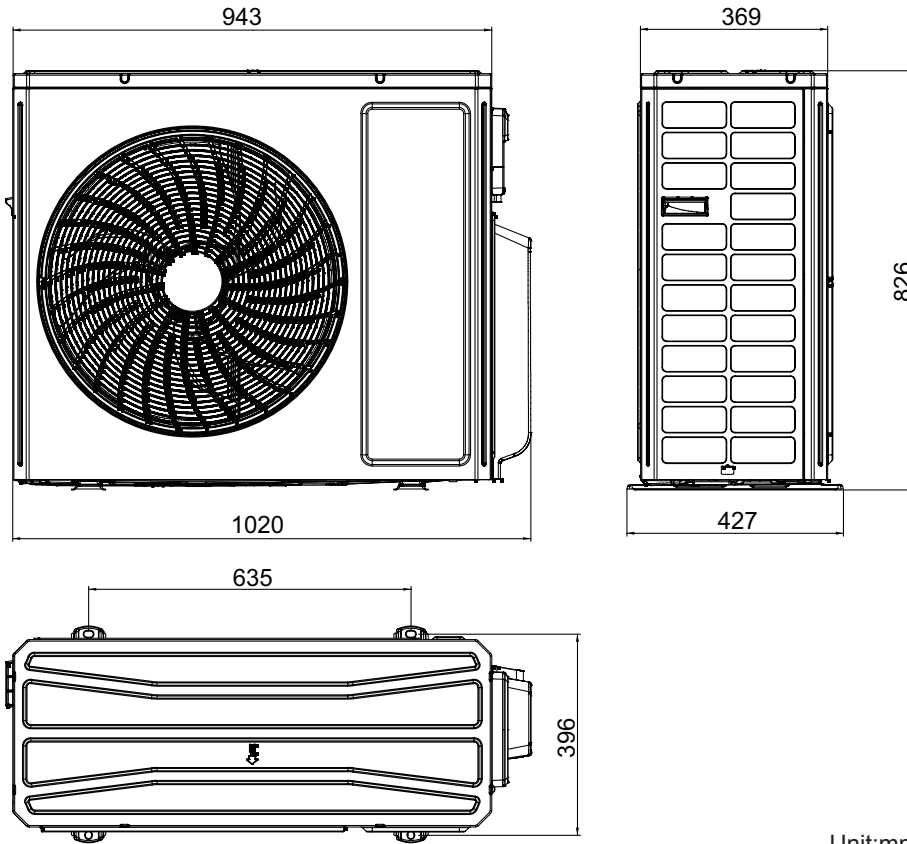
GWHD(21)NK600(LC)(LH) GWHD(21)NK600(LC)
 GWHD(24)NK600(LC)(LH) GWHD(24)NK600(LC)
 GWHD(28)NK600(LC)(LH) GWHD(28)NK600(LC)



Unit:mm

3. Outline Dimension Diagram

GWHD(36)NK600(LC)(LH) GWHD(36)NK600(LC)
GWHD(42)NK600(LC)(LH) GWHD(42)NK600(LC)



Unit:mm